



Dump Bodies

*Extracted from Full Scelzi Catalog
January 2024*



Photos may contain optional equipment - verify your specifications when you order.

Hoist Specifications - Smaller Dump Sizes

The Scelzi line of durable, single stage scissor hoists:

- Range in capacity from 11.2 to 22.5 ton
- Fit bodies from 8 to 20 feet long
- Black powder-coated in a durable, rust-resistant finish
- In-Cab Dash-mounted LED "Hoist Up" Safety Light
- Internally/externally accessed Push Button Hoist Up-Down Controller
- Dual, Manual-control Hoist Secure Locking Arms
- Power Take Off (PTO) for most models
- Scelzi CS515T and CS615T-11 are electric/hydraulic



Dash-mounted LED "Body Up" Safety Light and Push Button Hoist Up-Down Controller

Scelzi Hoists Standard Sizes

Body	Model	Tons
12' Chipper	CS615T-11	11.2
14' Chipper	CS620HD	11.5
16' Chipper	CS628	15.1
2-3 Yd Dump	CS615T-11	12.6
3-4 Yd Dump	CS615T-11	11.2
5-7 Yd Dump	CS820DA	22.5
6-8 Yd Dump	CS6620	22.9
7-9 Yd Dump	CS6620	22.9
10-12 Yd Dump	820DA	22.5
8'6" Landscaper	CS615T-11	12.6
10' Landscaper	CS615T-11	11.2
12' Landscaper	CS615T-11	11.2
14' Landscaper	CS615T-11	9.2

Actual hoist specifications may vary



Dual manual-control Hoist Secure Locking Arms

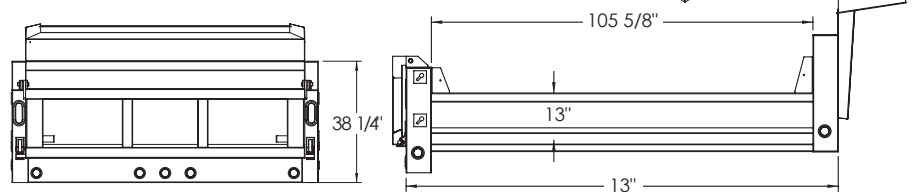
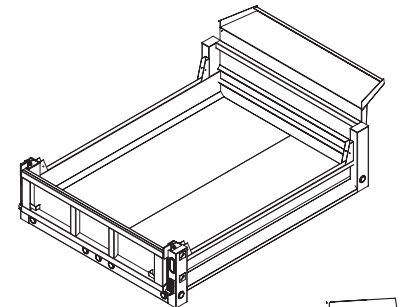
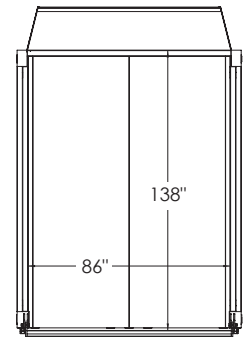
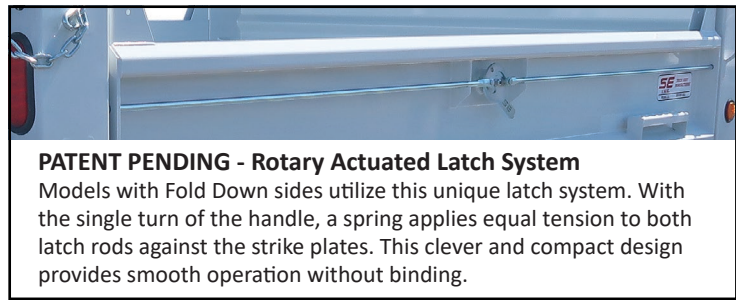




Photos may contain optional equipment - verify your specifications when you order.

3-4 Cubic Yards 11.6 Ft. Long 84 CA Standard Specifications

- Capacity:**
- Recommended: 14,000 - 19,000 GVW Approx. 2,250 lbs.
 - Recommended: 550, 5500 or lower
- Body Dimensions:**
- Traditional rectangular body with cross-members
 - 11'6" Long x 86" Wide Inside x 13" Sides x 20" Tail Gate x 32" Bulkhead
 - DBS 11-6 Dump body with fold down sides
 - 10 Gauge High-Tensile Throughout
 - 3" Cross Bars on 15" Centers x 5" Channel Longs
 - 1/4 Size Cab Shield
 - Deluxe LED Light Package with Oval Stop and Turn Lights
 - Mud flaps and brackets
 - Semi automatic pull tarp, black mesh
- Color**
- Black or white, Contact Sales for Custom Color
- Hoist:**
- Scelzi CS615T-11 (Class 40)
 - 11.2 ton capacity with 12" overhang, full steel sub-frame
 - Power up and power down with LED raised up warning light
 - LED body raised warning light, inside cab control
 - See pg 37 for more hoist information
- Options:**
- 6" x 3/16" spreader apron
 - Center ditch gate, sliding type
 - 3/16" floor in lieu of 10 gauge
 - LED lighting
 - Non-fold down sides



NOTE: 13" DIMENSION IS FROM FLOOR TO TOP OF SIDE RAIL





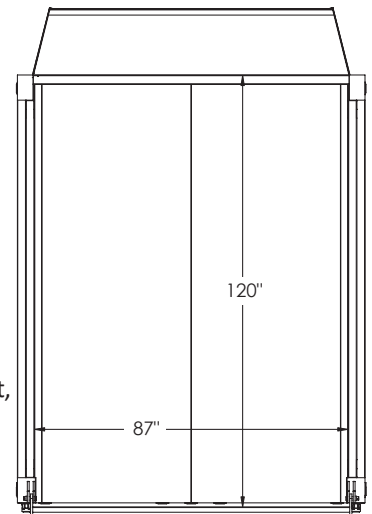
Photos may contain optional equipment - verify your specifications when you order.

5-7 Cubic Yards 10 Ft. Long Standard Specifications

Capacity: • Recommended: 26,000 -33,000 GVW Approx 3,400 lbs.

Body Dimensions:

- Traditional rectangular body with cross-members
- 10' Long x 86" Wide Inside x 24" Sides x 32" Tail Gate x 36-40" Bulkhead
- 10 Gauge High-Tensile Steel Sides and Ends
- 3/16" High-Tensile Steel Floor with Beveled Side Corners
- Sloped Running Boards
- 6" Channel Longs x 3" Channel Cross Bars on 15" Centers
- Double Acting Tail Gate (Manual Trip Lever), 6-Panel
- 1/4 Cab Shield, Full Depth Rear Corner Post
- 4-Flange Boxed Top Rail, Double
- Wall Sides with Center Corrugation, Spreader Apron
- Deluxe LED Light Package with Oval Stop and Turn Lights in Rear Corner Post,
- Recessed Side Clearance Lights, and Set of Mud Flaps



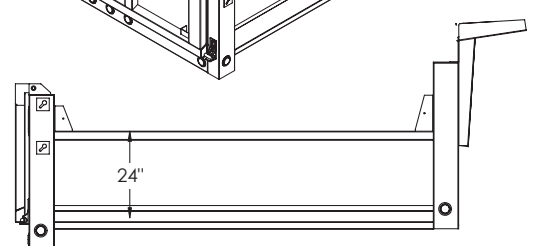
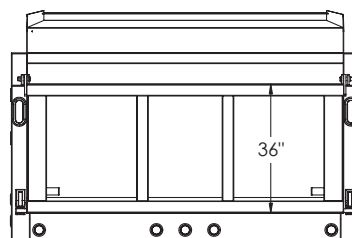
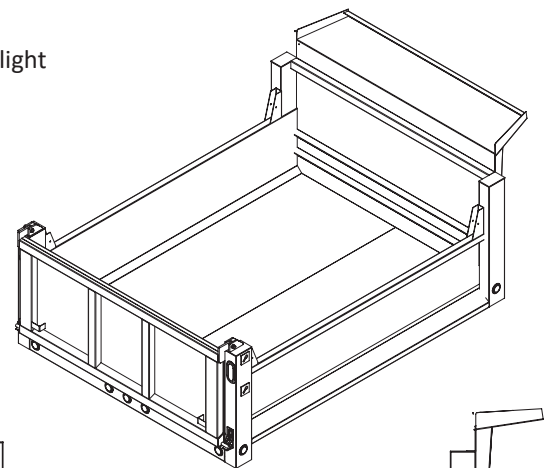
Color: • Black or White

Hoist:

- Scelzi 820DA with sub-frame (Class 60)
- 22.5 ton capacity with 12" overhang
- Power up and power down with LED raised up warning light
- LED body raised warning light, inside cab control
- See pg 37 for more hoist information

Options:

- Ditch Gate in Tailgate
- Semi automatic pull tarp, black mesh
- 3/16" High-Tensile Tailgate
- Air Operated Tailgate Locks
- Air Shift PTO or Hot Shift PTO - for Allison Transmission
- 580 Premier Pintle Hitch or Plug
- Pull Trap, and Toolbox





Photos may contain optional equipment - verify your specifications when you order.

10-12 Cubic Yards

14 Ft. Long

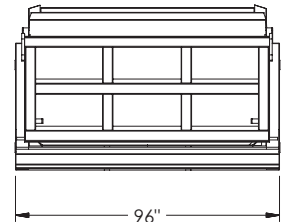
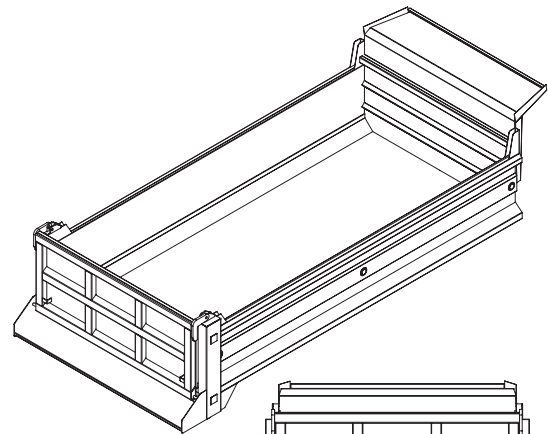
Standard Specifications

Capacity:

- Recommended: 33,000 GVW

Body Dimensions:

- Traditional rectangular body with cross-members
- 10 GA. High-Tensile Steel Throughout
- 3" Channel Crossbars on 15" Centers
- Headboard with Corrugations 10" Higher Than Sides
- Manual Tailgate Lever or Air Cylinder Set-Up (Air Cylinder not Included)
- 5", 6", or 7" Longsills
- Tailgate 6" Higher Than Sides
- Beveled Floor Corners
- Full Depth Rear Corner Posts
- Two-Panel Tailgate
- Boxed Top Rails and Horizontal Side Braces



Color:

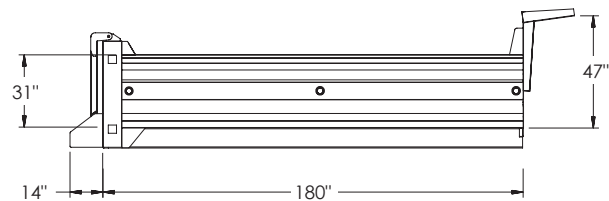
- Black or White

Hoist:

- Scelzi C63120T
- 22.5 ton capacity with 12" overhang
- Power up and power down with LED raised up warning light
- See pg 37 for hoist details

Options:

- Air Tailgate Control
- Air Dump Control
- 3/16" Spreader Apron
- Ditch Gates
- Oval Stop and Turn Lights
- Front Corner Post
- Nested Crossbars
- Double Wall Sides with Center Horizontal Brace Length of Body
- Concave sides
- Hoist Stabilizer
- Guards in End Post for Turn Signal Lights
- Hydraulic Wet Line for Pop Trailer
- Electrically Activated PTO for Manual Transmission
- Air Pintle Hitch
- Semi automatic pull tarp, black mesh (as shown at right)





Photos may contain optional equipment - verify your specifications when you order.

Semi-Elliptical Dump Bodies

Various Lengths

Standard Specifications

Capacity: • Varies from 6-18 cubic yards in lengths from 10 to 19 feet long

Body Dimensions:

- Semi-elliptical curved body design
- 4 x 4 x 1/4 Tubing Top Rail Diamond Up Inside Vertical Stiffner
- 10 Gauge High-Tensile Fenders Starting Approx. 30" from Front
- Fenders are Full Boxes Closed Bottom Side, 100% Welded
- All Heavy Duty Hardware Top & Bottom on Tailgate
- 3 Panel Tailgate or 6 Panel Tailgate
- Air Operated Lower Tailgate Locks
- 1/4 Size Cab Shield or Wing Type
- 8" x 3/16" Spreader Apron
- Deluxe Light Kit Oval Stop & Turn

Color: • Black or White

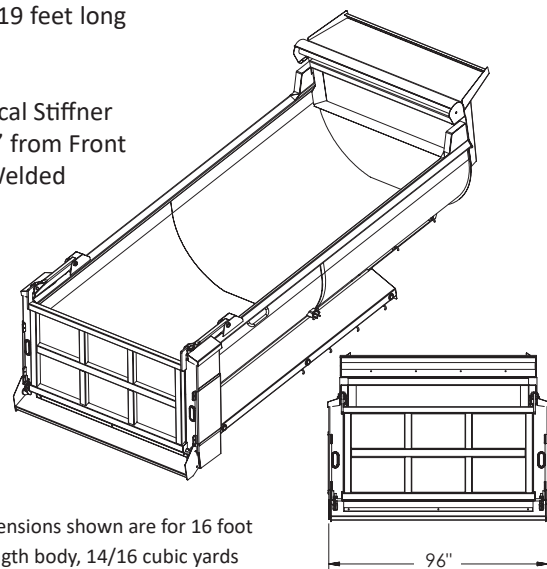
Hoist:

- Model varies by capacity
- Power up and power down
- LED raised up warning light

Options:

- Air Lift Tailgate Cyl. Inside Rear Post (No Door)
- Doors on Rear Corner Post for Air Cyl Access
- Ditch Gate Center
- Trap (Manual or Electric)
- Air Hitch 370 Premier and Electric Plug
- 2 – 22.5 x 8.25 Alcor Uni-Mt F/R Polished 10 Hole Wheels
- 2 – 255/70 R22.5 Sumitomo S+727 16 Ply Tires
- Reverse Mounting Model for Clearance on Tanks ECT

Custom Dump Bodies: • Other Custom Dump Bodies Available as a Special Order
- Please Contact Us



Dimensions shown are for 16 foot length body, 14/16 cubic yards

